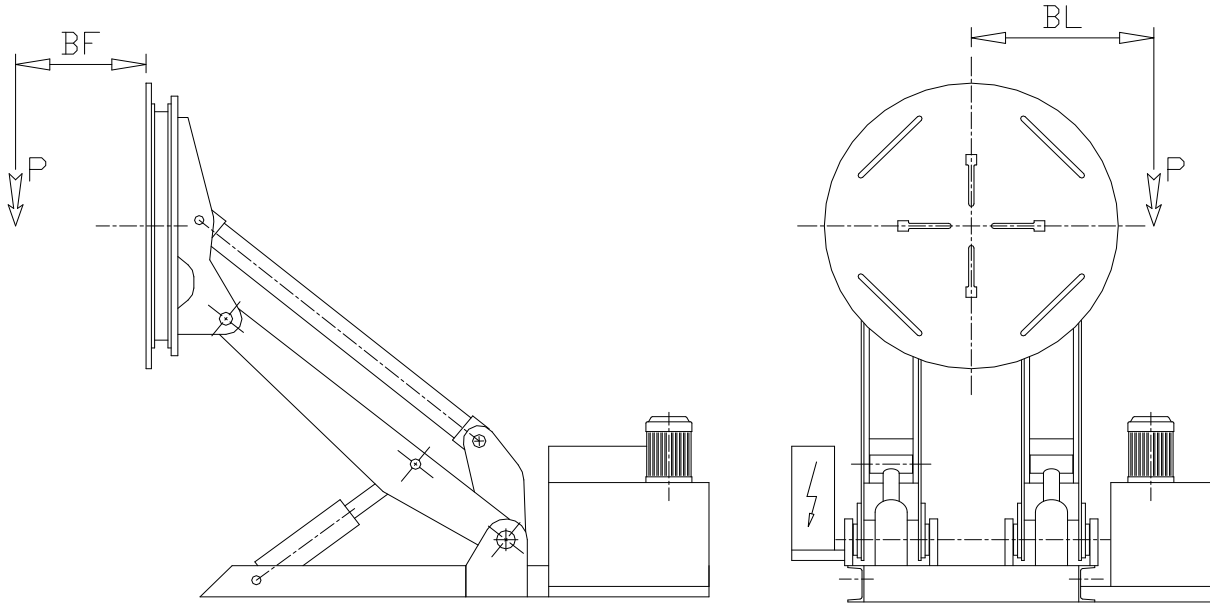


PERMISSIBLE LOADS



LEGEND: P= Weight BF= Front barycentre BL= Lateral barycentre

RL1250	P [kg]	1250	1000	800	600	400						
	BF [mm]	400	490	600	790	1160						
	BL [mm]	40	50	60	80	120						
RL2500	P [kg]	2500	2100	1700	1300	900	500	300				
	BF [mm]	450	530	640	820	1150	2000	3300				
	BL [mm]	80	100	120	160	230	420	670				
RL4500	P [kg]	4500	3900	3300	2700	2100	1500	1200	900	600	300	
	BF [mm]	480	540	620	740	950	1280	1600	2100	3100	6100	
	BL [mm]	120	140	160	190	240	330	410	540	790	1500	
RL6500	P [kg]	6500	5700	4900	4100	3300	2500	2100	1700	1300	900	500
	BF [mm]	500	560	640	750	920	1200	1400	1700	2200	3100	5580
	BL [mm]	120	140	160	180	220	290	340	420	550	630	730
RL8500	P [kg]	8500	7500	6500	5500	4500	3500	3000	2500	2000	1500	1000
	BF [mm]	500	560	640	750	910	1140	1300	1550	1930	2550	3750
	BL [mm]	95	110	130	150	190	240	280	340	400	550	820
RL11000	P [kg]	11000	9800	8250	7130	5850	4550	3950	3150	2500	1800	1210
	BF [mm]	500	550	650	750	900	1150	1300	1550	1950	2600	3700
	BL [mm]	100	110	130	150	180	240	270	340	440	610	900

The ROTOLIFT RL 13000 with maximum capacity of 13000 kg is available, upon request.
The a.m. technical data may vary at the customer's specific request.

The a.m. data may vary due to the constant technical evolution of the designs.